



YOUR INFO:

Name: \_\_\_\_\_

Address: \_\_\_\_\_

\_\_\_\_\_

\_\_\_\_\_

Phone: \_\_\_\_\_

Email: \_\_\_\_\_

Lucky Number: \_\_\_\_\_ *To Be Stamped on ST Badge*

44 Bike Co. Info:

Kristofer Eric Henry / Owner · Builder · Connoisseur

44 Bike Co.

62 Old Temple Road  
Lyndeborough, NH 03082 USA

Phone: 603.654.2005 / 9-5pm Eastern Standard Time

Email: khenry@44bikes.com / All Day · Any Day

MY PLEDGE · Proudly Made in the USA

Each 44® Frame is built right from my shop here in New England. I take tremendous pride in the fact that each one is made by hand in the USA from U.S. sourced materials whenever possible. I don't choose fly by night operations; only the finest craftsmen are employed for component, material, paint / finishing work. Whenever possible, I spec only OEM's that make their components in these great 50 states. Your frame is guaranteed for the life of the rider. Rest assured that if something does happen, you're covered. RIDE each one with pride.

Signed in Ink

KRISTOFER E. HENRY / FOUNDER - 44 BIKES

SWORN TO SHRED



x

BICYCLE DESIGN · WELDING · SHREDDING · HEAVY LIFTING · GENERAL CONVERSATION · CONNOISSEUR

TACTICAL FIT HANDBOOK · PREPARED BY THE DEPT. OF SHRED · 44 BIKES · NH · USA

Titanium Bicycle Frames & Options

Made to measure titanium frames start at \$4500\* - see last page for what is included in price. Head tube, brake type and dropouts are build specific. Additional options are listed below. A \$1000 deposit is required to reserve your place on the build list today representing a firm verbal commitment to the project. Anodized and Liquid Paint finishes are available at an additional charge. Options for both mountain and road are available. Shipping is TBD.

Frame & Wheel Options

- Huntsman Ti       Marauder Ti
- 700c    29"    27.5/650b    27Plus    29Plus    Fat    \_\_\_\_\_

Road Titanium Options:

- 44mm Head Tube / Length Dependent .....\$100-300
- PMW Hooded Round Dropouts (Includes Thru Axle & Hanger) .....\$350
- PMW SS Hooded Sliders (Includes Inserts, & Thru Axle) .....\$550
- SS Slider Ti Bolt Upgrade .....\$75
- ISO / Post Mount Disc Brake .....\$250
- Flat Mount Disc Brake .....\$250
- Di2 Routing .....\$225
- Bottle Mounts (2 Stock) / Rack & Fender Mounts .....\$40 Additional / Pair
- Internal Dropper Route .....\$275
- Internal Cable Routing .....\$425/Cable

Mountain Titanium Options:

- 44mm Head Tube / Length Dependent .....\$100-300
- PMW Hooded Round Dropouts (Includes Thru Axle & Hanger) .....\$350
- PMW SS Hooded Sliders (Includes Inserts, & Thru Axle) .....\$550
- SS Slider Ti Bolt Upgrade .....\$75
- ISO / Post Mount Disc Brake .....\$250
- Bottle Mounts (2 Stock) / Rack Mounts .....\$40 Additional / Pair
- Internal Dropper Route .....Stock / NC
- Internal Cable Routing .....\$425/Cable

Titanium Finish Options

- Brushed + Decal .....\$250
- Brushed + Anodized Logos .....\$450
- Liquid Finish aka "Paint" .....Please Inquire · Prices Vary on Complexity
- Brushed or Anodized Logos with Bead Blast Finish .....\$650

Decals Options · Brushed Finish Only

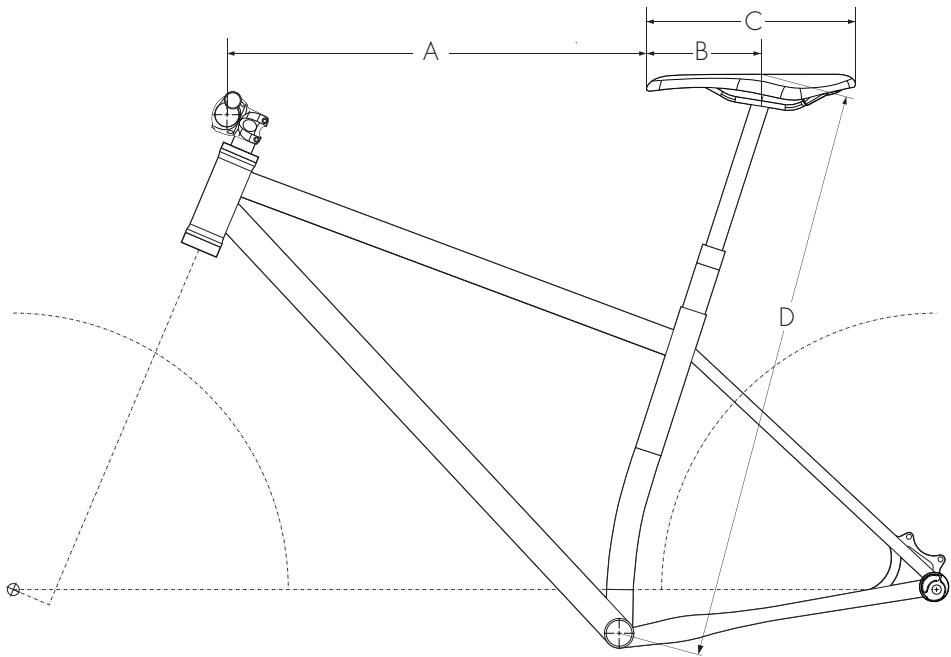
- Silver    Gold    Black    White    Grey    Red    Blue

Fork Options

- Unicrown Tapered Steel Fork (With Frame Only) .....Starts @ \$675.00
- Suspension Fork \_\_\_\_\_
- Road / CX Fork \_\_\_\_\_
- Made to Order Option \_\_\_\_\_

NOTE: IF YOU DO NOT SEE IT, IT IS NOT AVAILABLE. Additional options will be available in the future.

\*PLEASE NOTE THAT ALL PRICING IS SUBJECT TO CHANGE ANY TIME.



**Mountain Measurement Key:**

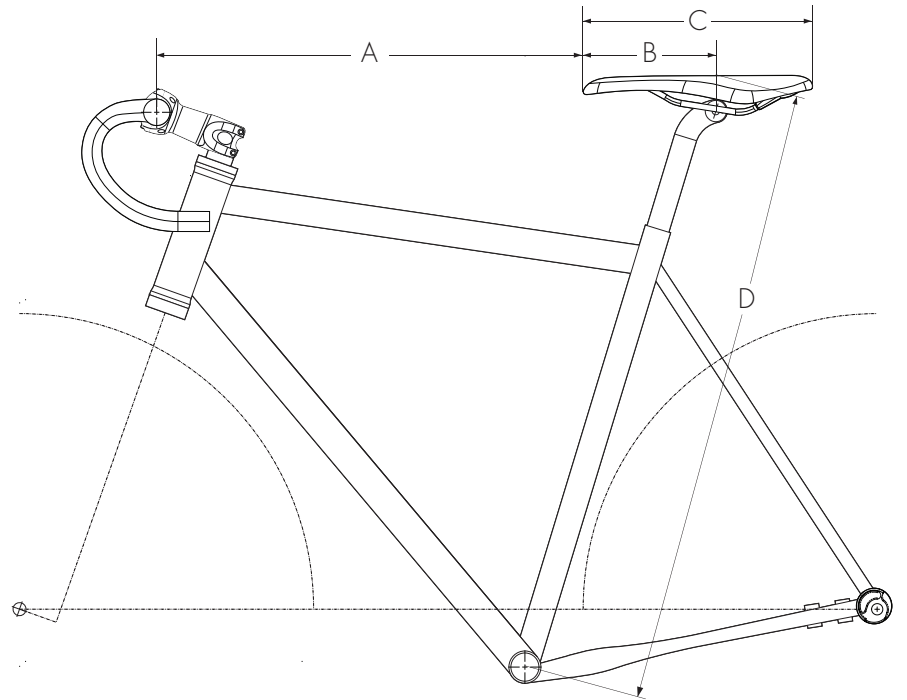
- A · **Cockpit:** Measure from center of handlebars to tip of saddle. \_\_\_\_\_
- B · **Nose:** Measure from saddle tip to the connection between rails and seatpost. \_\_\_\_\_
- C · **Saddle Length:** Measure the saddle tip to tale horizontally. \_\_\_\_\_
- D · **Saddle Height:** Measure center of bottom bracket to center TOP of the saddle. \_\_\_\_\_

*\*Please take measurements in inches or millimeters · which ever is easiest for you.*

**Additional Measurements:**

- 1 · Stem Length and Angle: \_\_\_\_\_
- 2 · Seatpost Type: \_\_\_\_\_
- 3 · Saddle Type: \_\_\_\_\_

Notes: \_\_\_\_\_  
 \_\_\_\_\_



**Road Measurement Key:**

- A · **Cockpit:** Measure from center of handlebars to tip of saddle. \_\_\_\_\_
- B · **Nose:** Measure from saddle tip to the connection between rails and seatpost. \_\_\_\_\_
- C · **Saddle Length:** Measure the saddle tip to tale horizontally. \_\_\_\_\_
- D · **Saddle Height:** Measure center of bottom bracket to center TOP of the saddle. \_\_\_\_\_

*\*Please take measurements in inches or millimeters · which ever is easiest for you.*

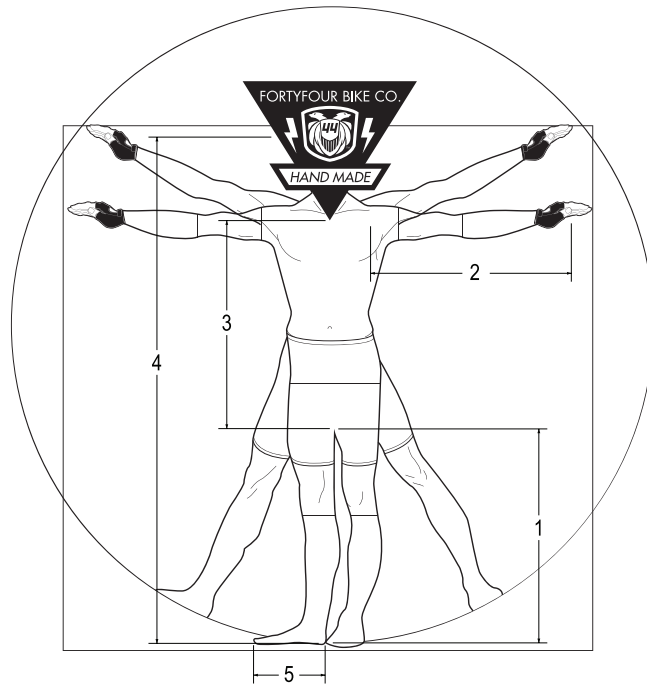
**Additional Measurements:**

- 1 · Stem Length and Angle: \_\_\_\_\_
- 2 · Seatpost Type: \_\_\_\_\_
- 3 · Saddle Type: \_\_\_\_\_

Notes: \_\_\_\_\_  
 \_\_\_\_\_



## Mountain/Road 1x or 2x Custom Select



### Fit Measurements:

1. Inseam: \_\_\_\_\_

In stocking feet, place book between legs as far 'up' as it will go. Stand in front of wall, make mark, and measure. This is your true inseam.

2. Arm length: \_\_\_\_\_

Make a "gun" with your thumb and forefinger. From your shoulder, measure to the crotch of your thumb and extended forefinger. This is your arm length.

3. Torso Length: \_\_\_\_\_

With book still in between legs, measure to the top of your sternum which is about in line with the center line of your outstretched arm. This is torso length.

4. Height: \_\_\_\_\_

In stocking feet, stand straight and measure from ground to top of head.

5. Shoe Size: \_\_\_\_\_

Current cycling shoe to check for toe overlap clearances.

**NOTES:** \_\_\_\_\_

\_\_\_\_\_

\_\_\_\_\_

### Drivetrain:

- Crankset \_\_\_\_\_
- Bottom Bracket \_\_\_\_\_
- Shifter/s \_\_\_\_\_
- Brakes \_\_\_\_\_
- Front Derailleur \_\_\_\_\_
- Rear Derailleur \_\_\_\_\_
- Cassette \_\_\_\_\_
- Chain \_\_\_\_\_

### Cockpit:

- Handlebars \_\_\_\_\_
- Headset \_\_\_\_\_
- Stem \_\_\_\_\_
- Seat Post \_\_\_\_\_
- Seat Post Collar \_\_\_\_\_
- Fork \_\_\_\_\_

### Wheel System

- Wheel Set \_\_\_\_\_
- Tires \_\_\_\_\_
- Rotors \_\_\_\_\_

### Contact Points

- Saddle \_\_\_\_\_
- Grips/Bar Tape \_\_\_\_\_
- Pedals \_\_\_\_\_

### Notes:

**\*Made to Measure Titanium Frame Includes:** Base price includes design, fabrication, hand-picked tube selection, and in-house formed & fabricated chainstays, seat stays and seat tube. All required filler material, tank of argon, tubes and components expertly cleaned and prepped to the highest standards. The Huntsman (road) includes in-house designed and 3D SLS printed in USA yoke and flat mount component. The Marauder (mountain) includes in-house designed and 3D SLS printed in USA yoke component. Head tube, dropout and brake mount are build specific and required - please choose accordingly. There are additional limited options and finishes available. Choose options and finish to round out build.